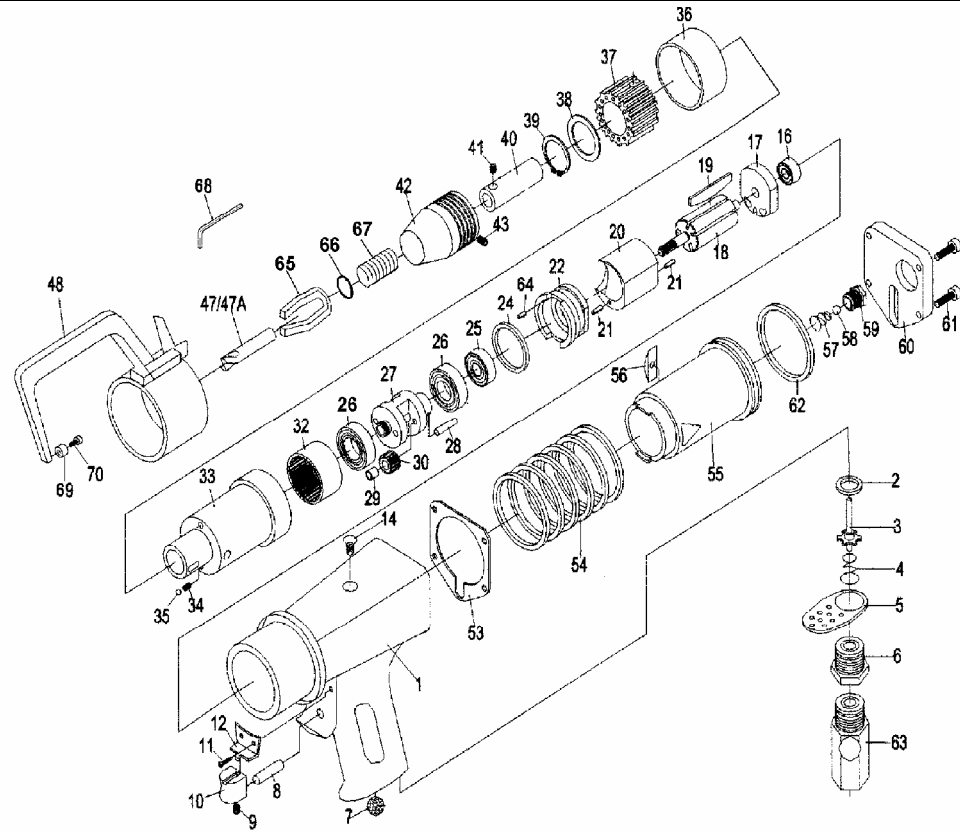


### D-5120A Spot Drill



Ref. No.	Part No.	Description	Q'ty /Tool	Ref. No.	Part No.	Description	Q'ty /Tool	Ref. No.	Part No.	Description	Q'ty /Tool
1	SPD5120A001	Housing	1	26	SPD5120026	Ball Bearing	2	55	SPD5120055	Piston	1
2	SPA1380002A	Throttle Valve Sea	1	27	SPD5120027	Gear Cage	1	56	SPD5120056	Setting Block	1
3	SPA1380003A	Throttle Valve	1	28	SPD5120028	Pin	2	57	SPD5120057	Spring	1
4	SPA1391004	Throttle Valve Spring	1	29	SPD5120029	Needle Roller	2	58	SPD5120058	Ball	1
5	SPA1391005	Exhaust Silencer	1	30	SPD5120030	Gear	2	59	SPD5120059	Plug	1
6	SPA1380006	Air Inlet	1	32	SPD5120032	Internal Gear	1	60	SPD5120A004	Housing Cover	1
7	SPA1380007	Muffler Element	1	33	SPD5120033	Gear Housing	1	61	SPD5120061	Screw	4
8	SPA1391016	Valve Stem	1	34	SPD5120034	Spring	2	62	SPD5120A005	O-Ring	1
9	SPA1391017	Set Screw	1	35	SPD5120035	Ball	2	63	SPD5120066	Regulator Ass'y	1set
10	SPA1391018	Control Trigger	1	36	SPD5120036	Ring	1	64	SPD5120A006	Pin	1
11	SPA1391019	Screw	2	37	SPD5120037	Nut	1	65	SPD5120046	Supporter	1
12	SPA1391020	End Cap	1	38	SPD5120038	Valve Washer	1	66	SPD5120045	Retainer	1
14	SPD5120014	Screw	1	39	SPD5120039	Retaining Ring	1	67	SPD5120044	Spring	1
16	SPD5120016	Ball Bearing	1	40	SPD5120040	Bit Holder	1	68	SPD5120067	Hex. Wrench	1
17	SPD5120017	Rear End Plate	1	41	SPD5120041	Set Screw	1	69	SPD5120068	Counter Ring	1
18	SPD5120018	Rotor	1	42	SPD5120042	Adjustive Attachment	1	70	SPD5120069	Screw	1
19	SPD5120019	Rotor Blade	5	43	SPD5120043	Set Screw	1	RK	SPD5120A0RK	Repair Kit Ref. No.	
20	SPD5120020	Cylinder	1	47	SPD5110040	Drill Bit, 8.0MM	1			16, 25, 26(x2), 29(x2), 30	
21	SPD5120021	Pin	2	47A	SPD5110040A	Drill Bit, 6.5MM	1	SK	SPD5120A0SK	Service Kit Ref. No.	
22	SPD5120022	Front End Plate	1	48	SPD-5120002A	Arm Ass'y (Jumbo Arm)	1set			2, 4, 19(x5), 24, 53, 54, 57	
24	SPD5120024	O-Ring	1	53	SPD5120A003	Gasket	1				
25	SPD5120025	Ball Bearing	1	54	SPD5120054	Spring	1				